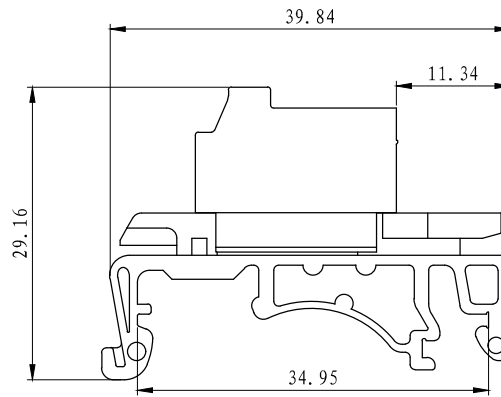
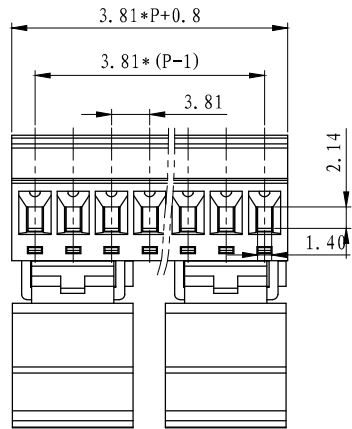
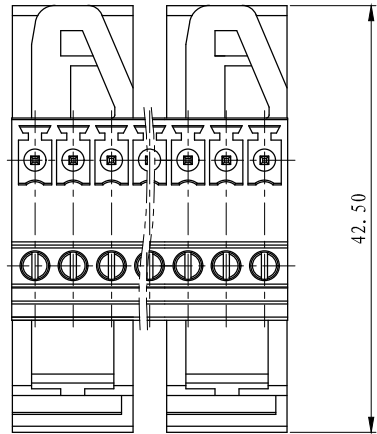


REVISION RECORD			
REV.	CONTENT	MOD.	DATE
△	新发行		



NOTES:
 Pitch: 3.81mm Pole: 3-24P
 Rated Voltage: 300V
 Rated Current: 8A
 Withstand Voltage:
 AC2000V for 1 minute
 Using Temperature Range :
 -40° ~+150°
 Wire range :28-16 AWG
 Screw Torque Value :0.2N.m
 Strip Length: 7mm

技术要求:
 间距: 3.81mm 极数: 3-24P
 额定电压: 300V
 额定电流: 8A
 耐电压值: AC 2000V/min
 使用条件: -40℃ ~+105℃
 适用线规: 28-16AWG
 螺丝扭矩: 0.2 N.m
 剥线长度: 7mm

备注: 3-6线只使用1个脚, 7-24线使用2个脚

	pitch dimension			Nominal dimension					— ▭ ⌒
	over 0 to 6	over 6 to 10	over 10 to 24	over 0 to 30	over 30 to 60	over 60 to 100	over 100 to 150	over 150	
variable range	0 to 6	6 to 10	10 to 24	0 to 30	30 to 60	60 to 100	100 to 150	150	
Tolerance	±0.1	±0.15	±0.25	±0.2	±0.3	±0.5	±0.7	±1.0	0.05/10

6	LC16-5.08脚	1045T4000AV		PA66-V0	绿色
5	LC18-3.81方针	1051B0001AV	P	紫铜	镀雾锡
4	LC1-3.81-方块	F1A0BLC3813V	P	黄铜	镀镍
3	LC1-3.81-螺丝	SP0YA204801V	P	碳钢	三价铬钝化彩锌
2	LC18U-3.81盖板	1051C0YXXAV	1	PA66-V0	
1	LC18U-3.81主体	1051A0YXXAV	1	PA66-V0	
NO.	NAME OF PART	NO. OF PART	Q'TY	MATERIAL	NOTES
DES.	CMZ	DATE	2025/09/23	UNITS	mm
CHK.		DATE		SIZE	A4
APP.		DATE		SCALE	1:1
				DWG NO.	SP-1-1051A400
				REV.	V0
上海联捷电气有限公司 Shanghai Elinker Electric CO.,LTD				TITLE	LC19U-3.81-XXP-1Y-00A LC19U-3.81成品